



The Spirit of '76 and '88



Monthly Newsletter of the Lake Erie Amateur Radio Association
... Dedicated to Amateur Radio and to Public Service ...

Editor: Mike DiTurno, KC8OWL
Associate Editor: Bryan Torok, N8OOF

Publisher: Jeannie St. Marie, KC8MNV

February 2004 Edition

About LEARA

LEARA is a not-for-profit organization dedicated to Amateur Radio and to Public Service. Club information packets and applications for membership are available from Marv Grossman, W8AZO, 440-248-0031, or may be downloaded from our web site at www.leara.org. Annual membership is \$18.00. LEARA's address is: LEARA, PO Box 22823, Beachwood, OH 44122-0823.

Membership Meetings are held the last Tuesday of each month except December at Dimitri's Restaurant, 1830 Snow Rd., Parma, OH (in the Mid-Town Shopping Center, just west of Broadview Road). Dinner is served at 6:30 PM. The regular meeting begins at 7:30 PM. Meetings are open to all interested persons. You may attend without eating, but reservations are required if you do wish to eat. For reservations, please call Marv Grossman, W8AZO at 440-248-0031 or submit your reservations on-line at www.leara.org.

Trustees' Meetings are held on the second Saturday of odd numbered months at 9:00 AM at the Parma-Snow Branch of the Cuyahoga County Public Library, 2121 Snow Rd., Parma, OH (opposite the Mid-Town Shopping Center). Meetings are open to all current members of LEARA.



In This Issue

- de W2THU 2
- Looking Forward 3
- How-to Tips and Tricks 5
- No-Code HF Proposal 5
- Amber Alert and Amateur Radio 6

February 2004 Meeting Program

Official Observers (OO)

Tuesday, February 24th

Presented by Alan Cook, N7CEU

The Official Observer (OO) program is very popular with league members, yet it is the program that generates the most confusion, controversy, and noise. Alan Cook, N7CEU, is the Official Observer Coordinator for the Ohio Section of the ARRL. He will be explaining the OO program, and sharing a few "war stories." He will also cover what the OO program does not involve, and clear up some of the misunderstandings.

Membership Meetings are held the last Tuesday of each month except December at Dimitri's Restaurant, 1830 Snow Rd., Parma, OH (in the Mid-Town Shopping Center, just west of Broadview Road). Dinner is served at 6:30 PM. The regular meeting begins at 7:30 PM. Meetings are open to all interested persons. You may attend without

(Continued on page 8)



SKYWARN Affiliated Club

Cuyahoga County
SKYWARN Activity can be
Found on LEARA's
146.760 Repeater
(- offset) 110.9pl

An American Radio Relay League Affiliated Club
www.arrl.org

Mark your calendars now for
FIELD DAY 2004

June 26th and 27th



Meet the Board of Trustees

President	Bob Winston, W2THU 216-771-3314 w2thu@leara.org
Vice-President, Net Manager	Eric Jessen, N8AUC 440-734-3146 n8auc@leara.org
Vice-President	Open until March 2004 Trustee meeting
Secretary, Radio Officer	Bryan Torok, N8OOF 440-871-5456 n8oof@leara.org
Treasurer	Dave Foran, WB8APD 440-942-0618 wb8apd@leara.org
Trustee, Radio Officer	Raye Bayun, N8NAP 146.760/R n8nap@leara.org
Trustee, Program Chairperson	Sara Cechner, KC8KSU 440-942-8787 kc8kcu@leara.org
Trustee, Membership Chairman	Marv Grossman, W8AZO 440-248-0031 w8azo@leara.org
Trustee	open
Trustee	Cliff Bade, W8CJB 440-235-1122 w8cjb@leara.org
Trustee	Jeff Garvas, N8YNR 216-552-4368 n8ynr@leara.org
Trustee	Grant Hedrick, KV0T 440-944-2184 kv0t@leara.org
Trustee	Tom Long, N8QXA 440-356-0741 n8qxa@leara.org
Trustee	Alex Manuk, WD8JMM 216-459-8523 wd8jmm@leara.org
Trustee	Jim Ozello, N8XDO 216-475-7218 n8xdo@leara.org
Trustee	John Radney, KC8FOC 216-751-7067 kc8foc@leara.org
Trustee Emeritus	Al Amster, W8HYG Fred Collins, WA8ADW Pat Shreve, W8GRG (SK) Al Severson, AB9P (SK)

Additional Points of Contact

Sunshine	Don Raith, N8DJG 216-921-7546
Newsletter Staff	editor@leara.org
Club Web Site	www.leara.org
All Board Members	trustees@leara.org

de W2THU . . .



The FCC's decision to change the licensing structure for the amateur radio service is further complicated by last year's World Radiocommunication Conference. At WRC-03 it was decided by a majority of nations to totally eliminate the morse code requirement for the ham radio license. It was left up to each member country to decide if it would follow suit.

In response to the anticipated changes in the US, The American Radio Relay League, through its Board of Directors, has petitioned the FCC to modify the licensing system in several ways. It has proposed to reduce the license structure to three classes. First, there will be a true entry level class (so far unnamed) which requires passing a 25 question written exam and no morse code. This class will allow phone operation on 80, 40, and 15 meters at 100 watts and 10 meters at 50 watts. Of course, high frequency CW and data operation is also allowed and encouraged, along with VHF/UHF privileges at 50 Watts.

The next higher level will be the present General which already requires a more difficult written exam but it will be without the code. Present day General privileges will be retained. Finally, the top class will continue to be Amateur Extra, requiring the most difficult written exam and a 5 wpm code test.

(Continued on page 8)

IRLP Node 8242 is On The Air

de The Editor

Thanks to the hard work of Jeff Garvas, N8YNR and a few other members of the Board of Trustees, LEARA's Internet Radio Linking Project (IRLP) node, number 4282, is up and is on the air.

The east-side 70cm repeater, 444.400 + offset, 131.8Hz pl has been reconfigured to serve as the club's IRLP machine. When not connected to an IRLP node the repeater may continue to be used as a regular repeater.

All licensed amateurs with a Technician class license or higher are encouraged to give it a try. For more information on the IRLP and for best-practice operating procedures, please see www.irlp.net.

The *Spirit of '76 & '88* is published monthly except in December.

Editor:
Michael A. DiTurno, KC8OWL
Kc8owl@leara.net

LEARA News

January 2004 Door Prize Winners

de The Editor

Below is a summary of the door prize winners from the January 2004 club meeting.

Free dinner at a LEARA club meeting

Joe Prokop, KC8RAN

Coleman Battery Operated Lantern

Jim Ozello, N8XDO

Home Depot Gift Card

Mark Flanagan, KC8SIE

ARRL Image Communications Handbook

Jack Andrisin, W8JAK

Crimper Tool Kit w/ Crimp-On Lugs

Andrew Juchnowski, AB8MO

Analog Multimeter

Darren Turk, K8DMT

30 Watt Soldering Iron

John Quigley, KC8JTF

Tool Kit

Bill Chaikin, KB8VIT
Darren Turk, K8DMT

Complete Electronic Course on a CD

Margo Johnson, KB8ZUQ
Greg Wehrung, KC8WPC
John Takaht, KC8TJK
Bryan Torok, N8OOF

50/50 Raffle - \$27

Donated \$15 back to LEARA
Pat Sweeney, K8PJS

Congratulations To All

Trustee Resignation

de The Editor

Bill Chaikin, KA8VIT has stepped down from his position on the Board of Trustees of the Lake Erie Amateur Radio Association. Though no longer a board member, Bill plans to continue helping new and old hams alike through his outstanding Elmering efforts.

Standard process, as defined by the clubs By Laws, will be followed with regard to filling the vacancy. We all thank Bill for his tremendous efforts while serving on the board.

With Our Deepest Sympathy

de The Editor

Please join us in expressing our deepest sympathies to Fred Doob, K8PP, and his family in the passing of his wife, Diane, on February 3rd, 2004.

~ ~ ~ ~ ~

Please also join us in expressing our sincere sympathies to Bob Winston, W2THU and his family in the passing of his mother on Sunday, January 17th.

Get Well Soon

We would all like to wish LEARA Trustee Emeritus Fred Collins, W8ADW a speedy and complete recovery from the stroke he suffered a number of weeks ago. At the time of this article Fred had been discharged from the hospital and is being cared for in a nursing home. We all wish Fred and his family the very best for a wonderful recovery.

~ ~ ~ ~ ~

Lets also be sure to spread some sunshine to the club's Sunshine officer, Don Raith, N8DJG. Don was recently admitted to the hospital for what was thought to be pneumonia. As it turns out Don did not Pneumonia, and was discharged from the hospital to continue his recovery with family members.

Looking Forward

Please feel free to contact the 2004 Program Chairperson, Sara Cechner, KC8KSU with any tips or ideas for upcoming meeting programs.

March 13th:	Trustee Meeting - see front cover for details
March 30th:	Annual Skywarn Training Night — Program starts Promptly at 7:00PM!
April 27th:	Digital Signal Processing (DSP) - Dr. Marc Buchner, NB8T
May 25th:	TBA
June 26th and 27th:	Field Day Weekend

LEARA News

Weekly Net

de The Editor

Net Control Operators are needed to help staff the weekly Lake Erie Amateur Radio Association's Thursday night club net at 2000 on the 146.760 repeater. Those interested should contact Eric Jessen, N8AUC for additional information.

Membership Dues for 2004

As a reminder, please check the mailing label of your newsletter (for those that receive the newsletter via the US Post Office). If the label indicates your membership dues for 2004 are past-due, please send them in to the clubs Post Office Box or bring them to the February club meeting at Dimitri's. The March 2004 newsletter will be the last notification sent to past-due members regarding delinquent dues.

Also, please be sure to let Marv Grossman, W8AZO know of any change in your address, license class, phone number, or any other member registration information that have changed over the last year. Marv can be reached by phone or email using the information listed on page two of this newsletter.

LEARA
P.O. Box 22823
Beachwood, Ohio 44122-0823

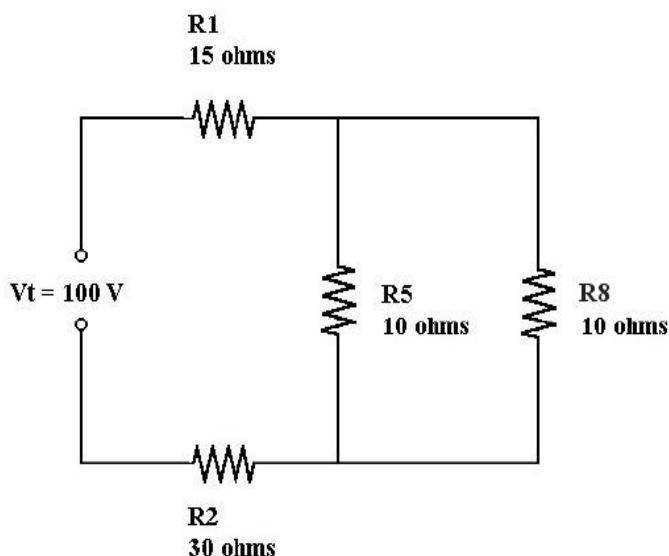


Figure 1 - What is the current flowing through this circuit?

How-To Tips and Tricks

Questions or Material ?

By Bill Chaikin, KA8VIT

Look at the circuit in figure 1, below and to the left. What is the current, in Amperes, that flows through this circuit? This is a very simple electronics problem and can be done without a calculator.

Still can't do it? This question may have not been on the test you took or are planning to take but the material it covers is.

We are not all electrical engineers or electronics geniuses, nor, do many of us want to be, but as hams we should all have a good basic understanding of electronics and RF theory and how and why our equipment works. With the power levels and antennas we are allowed to use this is very important and without it we are nothing more than appliance operators.

If you just study the questions and answers to the tests, you will probably pass and get your ticket, but if you really want to learn and understand radio and electronics, there is help.

Many clubs and individuals offer classes to help get or upgrade your license, but for many these options just do not work. Now, there is another way. It is called, **The Radio and Electronics School**.

The Radio and Electronics School is a web site devoted to helping anyone wanting to obtain an Amateur Radio license and learn about Radio, Electronics and Communications. Although the material is designed primarily for the Australian amateur radio license examinations, radio and electronics are radio and electronics, whether you are in Australia or the United States of America.

The course is comprised as a series of 41 Readings or Chapters each saved as an individual PDF file. There is also some additional material for those who wish to study even further. The first reading begins with Basic Electricity each reading continues on with a new area. The course is quite complete and comprehensive and will take the average student about six months to complete.

Designed for self-study or with Facilitators who are volunteers that can act as instructors or tutors to help with questions or study. More information is available on the web site at www.radioelectronicschool.com. I highly recommend this course for anyone wishing to really learn about radio and electronics.

If you are interested in the course but do not have Internet access, I have some copies of the course on available CD-ROM on a first come, first served basis.

(Continued on page 5)

Tips and Tricks ... continued

(Continued from page 4)

Now to answer the question: It is solved with Ohm's law and the knowledge of series and parallel resistance. A circuit can always be broken down in such a way as to be seen as one total resistance. For this circuit we can first simplify the parallel resistance of resistors R5 and R8 by using the shortcut of computing parallel resistances when all resistances in the branch are the same value (10 ohms in this case), by dividing the resistance of a branch by the number of the branches: so 10 ohms divided by 2 branches equals $10 / 2 = 5$ ohms.

Our simplified circuit now consists of a 100 volt source with three resistances in series, R1 = 15 ohms, our simplified parallel branch which is 5 ohms and R2 = 30 ohms. For resistances in series, we just add the resistances together: $15 + 5 + 30 = 50$ ohms. Now using the variation of Ohm's law to find current, $I = E / R$ or current equals voltage divided by resistance, so $I = 100 / 50 = 2$ amps!

73,
de KA8VIT

No-Code HF License Proposal

ARRL Letter

NEWINGTON, CT, Jan 19, 2004--The ARRL will ask the FCC to create a new entry-level Amateur Radio license that would include HF phone privileges without requiring a Morse code test. The League also will propose consolidating all current licensees into three classes, retaining the Element 1 Morse requirement--now 5 WPM--only for the highest class. The ARRL Board of Directors overwhelmingly approved the plan January 16 during its Annual Meeting in Windsor, Connecticut. The proposals--developed by the ARRL Executive Committee following a Board instruction last July--are in response to changes made in Article 25 of the international Radio Regulations at World Radiocommunication Conference 2003 (WRC-03). They would continue a process of streamlining the amateur licensing structure that the FCC began more than five years ago but left unfinished in the Amateur Service restructuring Report and Order (WT 98-143) that went into effect April 15, 2000.

The ARRL has addressed frequently asked questions (FAQs) concerning this proposal.

"Change in the Amateur Radio Service in the US, especially license requirements and even more so

when Morse is involved, has always been emotional," said ARRL First Vice President Joel Harrison, W5ZN, in presenting the Executive Committee's recommendations. "In fact, without a doubt, Morse is Amateur Radio's 'religious debate.'" The plan adopted by the Board departs only slightly from the Executive Committee's recommendations.

The "New" Novice

The entry-level license class--being called "Novice" for now--would require a 25-question written exam. It would offer limited HF CW/data and phone/image privileges on 80, 40, 15 and 10 meters as well as VHF and UHF privileges on 6 and 2 meters and on 222-225 and 430-450 MHz. Power output would be restricted to 100 W on 80, 40, and 15 meters and to 50 W on 10 meters and up, thus avoiding the need for the more complex RF safety questions in the Novice question pool.

"The Board sought to achieve balance in giving new Novice licensees the opportunity to sample a wider range of Amateur Radio activity than is available to current Technicians while retaining a motivation to upgrade," said ARRL CEO David Sumner, K1ZZ. "It was also seen as important to limit the scope of privileges so the exam would not have to include material that is inappropriate at the entry level."

As an introduction to Amateur Radio, the Novice license served successfully for most of its 50-year history. The FCC has not issued new Novice licenses since the 2000 license restructuring, however. Under the ARRL plan, current Novice licensees--now the smallest and least active group of radio amateurs would be grandfathered to the new entry-level class without further testing.

Anticipating assertions that the new plan would "dumb down" Amateur Radio licensing, Harrison said those currently holding a ticket often perceive the level of complexity to have been greater when they were first licensed than it actually was. "Quite frankly," he said, "if you review the questions presented in our license manuals throughout the years, you will be surprised how they compare to those of today."

Technicians and Generals

The middle group of licensees--Technician, Tech Plus (Technician with Element 1 credit) and General--would be consolidated into a new General license that no longer would require a Morse examination. Current Technician and Tech Plus license holders automatically would gain current General class privileges without additional testing. The current Element 3 General examination would remain in place for new applicants. ARRL already has proposed additional phone privileges for Generals in its "Novice refarming" petition, RM-10413, but the FCC has not yet acted on that petition.

(Continued on page 8)

Feature Article

Amber Alert and Amateur Radio

By Mike DiTurno, KC8OWL

As we are all aware by this point in time, a convicted criminal with a history of drug related and kidnapping offences recently stole the life of a young girl in Sarasota, Florida. As horrible as these issues are, they are, unfortunately, a part of our society. Fortunately, for the scales of justice, the suspect was quickly identified, apprehended, and will be processed through the legal system appropriately. But, what if he was not caught so quickly? What if the search went on for weeks or months? What if all that was known was, perhaps, the type of car the suspect owned or drove and a physical description?

After I heard the news report that the death of Carlie Brucia of Sarasota, Florida was confirmed, I decided I to do a little research on the Amber Alert process because I felt that, unfortunately, what happened to Carlie could potentially happen to any one of us.

I found that the State of Ohio is one of only three states in the United States that has not yet implemented a formal state-wide Amber Alert system <<http://www.amberalertnow.org/>>, though many areas in Ohio have developed smaller scale regional programs. Thinking further through the process, I decided to do a little more research and see what type of amateur radio involvement there may be in states that have already implemented an Amber Alert process. Among the many clubs that support the Amber Alert process through amateur radio, I have to say that one of the most impressive sounding organizations I was able to find was the Orange County Sheriff's Department/ Communications Radio Amateur Civil Emergency Service, OCRACES <http://www.ocraces.org/>. Below is an excerpt from their web site that summarizes what I believe is something that we all should think about as a way to use our amateur radio privileges to assist in the Amber Alert process, once implemented.

“Control One is the primary coordination point for an Orange County based Child Abduction Emergency and takes actions outlined in the Child Abduction Emergency (AMBER Alert / CARE Alert) protocol. One such procedure is to notify OCRACES with the information so that it may be shared with the Amateur Radio community via the 146.895-MHz OCRACES repeater. Upon receiving notification from Control One, OCRACES will provide a Net Control operator who will broadcast the information on the 146.895-MHz repeater. Activation will be time sensitive, and OCRACES will not be activated between 2200 and 0600 hours. Initially, the Net Control operator will rebroadcast the information every 15 minutes, and as requested by any Amateur Radio operator. The

purpose of an AMBER Alert is to get as many "eyes" as possible looking for the abducted child. This new OCRACES program will provide a new set of eyes by providing information to those hams who may be on the road.” <taken from www.ocraces.org>

Though this approach is certainly not the only way to help in these situations, I think it is a great example of a team of amateur radio operators who are dedicated to using their privileges to make a difference under the gravest of circumstances. Regardless of club affiliation or memberships, this is something that we all have the capability of doing. I plan to watch the progress of the Amber Alert implementation here in northeast Ohio. I also plan to seek ways to integrate amateur radio in the process in a way that would add value to our existing public safety infrastructure by clearly understanding the role they would like amateur radio to play. I believe there is a mountain of opportunity here to help make a positive difference. I'm interested your comments and suggestions on this topic. Please feel free to e-mail me at kc8owl@yahoo.com.

Thanks and 73
KC8OWL

ISS QSO Recorded

de The Editor

On February 4th, 2004 Bill Chaikin, KA8VIT was able to monitor and record students at James F. Bay Elementry School making a contact with ISS astronaut Mike Foale, NA1SS.

Bill states “The signals in the recording start off scratchy and weak and you have to really listen to understand what Mike Foale is saying. Within ninety seconds of first hearing the signals, the signals quickly rose to S9 +20.” The entire QSO is available on Bill's web site at: <http://www.qsl.net/ka8vit>



Astronaut Mike Foale aboard the ISS

Public Service and Emergency Communications

2004 Rite Aid Cleveland Marathon

By Mike DiTurno, KC8OWL



One of the first big opportunities of 2004 to help make a difference through amateur radio is coming up on Sunday April 25th, 2004.

Amateur radio volunteers are needed to staff the 2004 Rite Aid Cleveland Marathon. Our role as amateur radio volunteers is critical in helping to ensure the safety and

security of race participants and spectators by taking positions along the route and relaying information back the central communications tent where race officials and EMS dispatchers will be located.

Whether it's injury, severe weather threats, dangerous intersections, or any number of other possible threats, amateur radio volunteers are the only way to effectively monitor and report on events in real-time over the 26 mile route.

Please consider volunteering for this highly visible event. Any amount of time or service you can volunteer will be tremendously appreciated. **Please contact Mike DiTurno, KC8OWL by phone at 216-898-1891 or by e-mail at kc8owl@yahoo.com** for questions or to volunteer. For more information on the marathon, please see their web site at www.clevelandmarathon.com.

St. Patrick's Day Parade

By Sean Carey, W8SCC

Date: March 17th, 2004,

Event: The 137th Annual St. Patrick's Day Parade

Coverage Requested: Ham Radio support from 11:30 am -3:00 pm (parade steps off at 1:05 pm)

Hams are needed to assist marshals with communications to keep things organized for some 225 or more groups divided into 3 divisions for the parade. Contact Sean Carey, W8SCC for more information (or phone 216-476-1495).

The official meeting place from which hams will be deployed is at the Comfort Inn at E. 18th St. and Euclid (formally Swingos); hams are encouraged to contact Sean prior to 3/17 for details such as where to park to avoid being ticketed, and so he can make advance plans for deployment. Bring your head-set if you have one. This event tends to get noisy! It's grand day to be Irish. Come share in the fun.

Amateur Radio Emergency Service

Taken from www.eham.net

Duval County, Florida, Amateur Radio Emergency Service (ARES) activated on the morning of January 18 after a bus rolled over in Jacksonville near the junction of Interstates 10 and 95. ARRL Crown District Emergency Coordinator Miller Norton, N4RYX, reports the Jacksonville Fire and Rescue Department (JFRD) initiated the Northern Florida ARES group's activation through an automatic telephone notification service. "In Duval County, ARES is automatically paged out by JFRD communications when a Level III mass-casualty incident occurs," Miller explained. "Level III means an event with 22 or more casualties. We began receiving radio check-ins within moments of launching the system." In all some 30 ARES members checked into the net.

The bus had rolled down an embankment, landing upright, Norton said. More than 20 injured bus passengers--both adults and children--were transported to three area hospitals. None of the injuries were considered life-threatening. Duval County ARES dispatched amateur operators to the three hospitals receiving victims. Ten JFRD rescue units and five private ambulances responded to the scene along with other emergency vehicles and the JFRD Command and Communications Center mobile unit, Norton said.

The call-up service Duval ARES uses is a telephone message-forwarding service called CallingPost.org, which is able to alert all ARES members quickly once an activation has been called. "This is a superior way to notify ARES members without the need for a telephone tree, which wastes precious time," Norton said. "Hats off to Duval County EC Bob Nelson, N4CUZ, and his group for a job well done!"

Editors Note: Those that were able to help with the Airport Disaster Drill in June of 2003 will quickly identify some of the similarities between the way we managed the drill and this real-life emergency!

For a complete list of all northeast Ohio public service volunteer opportunities please see the Northeast Ohio Public Service Volunteer web site at:

www.neopsv.org

No-Code HF License Proposal ... continued

(Continued from page 5)

Morse Code Testing Retained for Extra

At the top rung, the Board indicated that it saw no compelling reason to change the Amateur Extra class license requirements. The ARRL plan calls on the FCC to combine the current Advanced and Amateur Extra class licensees into Amateur Extra, because the technical level of the exams passed by these licensees is very similar. New applicants for Extra would have to pass a 5 WPM Morse code examination, but the written exam would stay the same. The League's plan calls for current Novice, Tech Plus and General class licensees to receive lifetime Element 1 (5 WPM Morse) credit.

"This structure provides a true entry-level license with HF privileges to promote growth in the Amateur Service," Harrison said. "It also simplifies the FCC database by conforming to the current Universal Licensing System (ULS) structure and does not mandate any modifications to it."

Sumner concurred. "The Board started out by recognizing that three license classes was the right number when looking down the road 10 or 15 years," he said. "We need a new entry-level license."

"On the other hand, there's nothing particularly wrong with the existing Extra class license," he continued. "The change in the international regulations notwithstanding, the Board felt that the highest level of accomplishment in the FCC's amateur licensing structure should include basic Morse capability."

Sumner and Harrison say the current Technician entry-level ticket provides little opportunity to experience facets of ham radio beyond repeater operation. "The quality of that experience," Sumner said, "often depends on the operator's location."

Among other advantages, Sumner said the plan would allow new Novices to participate in HF SSB emergency nets on 75 and 40 meters as well as on the top 100 kHz of 15 meters. The new license also could get another name, Sumner said. "We're trying to recapture the magic of the old Novice license, but in a manner that's appropriate for the 21st century."

Proposal Includes "Novice Refarming" Band Plan

The overall proposed ARRL license restructuring plan would more smoothly integrate HF spectrum privileges across the three license classes and would incorporate the "Novice refarming" plan the League put forth nearly two years ago in a Petition for Rule Making (RM-10413). The FCC has not yet acted on the ARRL plan, which would alter the current HF subbands. The Novice refarming proposal would eliminate the 80, 40 and 15-meter Novice/Technician Plus CW subbands as such and reuse that spectrum in part to expand phone/

image subbands on 80 and 40 meters.

The ARRL license restructuring design calls for no changes in privileges for Extra and General class licensees on 160, 60, 30, 20, 17 or 12 meters. Novice licensees would have no access to those bands.

de W2THU ... continued

In order to avoid the bad feelings caused by the restructuring plan of the late 1960s, when many hams actually lost operating privileges as an inducement to upgrade to Advanced and Extra, the League proposal would upgrade Techs, and Tech Pluses to the General class, without any further testing. Present Novices would be upgraded to the new entry level class, while Advanced license holders would become Amateur Extra. In other words, no one would lose any privileges.

This plan is obviously a compromise. Some folks will complain that they had to earn their ticket the "old fashioned way." I could say that too, because I passed my Extra in 1970 when you had to go to the FCC district office and send and receive code at 20 wpm. But, in my opinion this is our last chance to encourage young people into this hobby. If this plan is accepted by the FCC, we can now tell school aged children that simply by passing a 25 question written exam they can get on the air and talk worldwide with a microphone.

I remember how the no code Technician class license brought thousands of new hams into our hobby. LEARA membership expanded greatly. But, the no code Tech is banned from the best part of the amateur radio spectrum. After a while, many dropped out. The new entry level license corrects that problem by exposing new hams to a smorgasbord of ham radio bands and modes. The need to keep amateur radio vital in our country outweighs the unfairness to those who earned their General class license the hard way.

I will be happy to hear your comments at the next LEARA meeting at Dimitri's. I look forward to seeing you there. **If you have not received your badge, please email me at w2thu@arrl.net**

February Meeting ... continued

(Continued from page 1)

eating, but reservations are required if you do wish to eat. Dinner is \$14.50 per person and includes your choice of Sirloin Steak, Chicken Parmesan, or broiled Boston Scrod. All entries include potato, vegetable of the day, coffee, iced tea, desert and gratuity. A vegetarian selection is also available upon request. For reservations, please call Marv Grossman, W8AZO at 440-248-0031 or submit your reservations on-line at www.leara.org.

Upcoming Exam Sessions

February 2004

Date: 28-Feb-2004

Sponsor: CANTON ARC/MASSILLON ARC

Time: 9:00 AM (Walk-ins allowed)

Contact: GARY L KLINE
(330)837-2927

Email: WC8W@SSSNET.COM

Location: EMERGENCY PREPAREDNESS
CENTER STARK CNTY SHERIFF
OFFICE/ EOC 4500 ATLANTIC BLVD
NE 5 MI E OF US RT #77/US RT 62 C
ANTON, OH 44705
CHECK-IN AT 6:30 PM

March 2004

Date: 09-Mar-2004

Sponsor: SUMMIT CO AMERICAN RED CROSS

Time: 7:00 PM (Walk-ins allowed)

Contact: BRUCE M FERRY
(330)929-2766

Location: AMERICAN RED CROSS
501 W MARKET ST
AKRON, OH 44303

Date: 14-Mar-2004

Sponsor: CUYAHOGA ARS

Time: 9:00 AM (Walk-ins allowed)

Contact: GARY S DEWEY
(216)642-8705

Email: GDEWEY@EN.COM

Location: TOWN HALL
6652 BRECKSVILLE RD
STATE ROUTE 21
INDEPENDENCE, OH 44131

Date: 21-Mar-2004

Sponsor: LORAIN COUNTY ARA RED CROSS

Time: 1:00 PM (Walk-ins allowed)

Contact: CHARLES S HALL
(216)433-3036

Email: VE@W8HF.COM

Location: AMERICAN RED CROSS
2929 W RIVER RD N
ELYRIA, OH 44035

Internet: WWW.W8HF.COM

Date: 28-Mar-2004

Sponsor: LAKE COUNTY ARA - MADISON

Time: 9:00 AM (Walk-ins allowed)

Contact: SCOTT FARNHAM
(440)256-0320

Location: MADISON HIGH SCHOOL
MIDDLE RIDGE & BURNS RD
MADISON, OH 44057

Upcoming Hamfests

March 2004

Date: 20-Mar-2004

Sponsor: Southern Michigan ARS

Internet: <http://www.qsl.net/w8df>

Contact: Chuck Williams, WD8LJF

Location: 15202 Ackerson Drive
Battle Creek, MI 49014

Phone: 269-964-3197

Email: bevolin@msn.com

Date: 21-Mar-2004

Sponsor: Toledo Mobile Radio Association

Internet: <http://www.tmrhamradio.org>

Contact: Brian Harrington, WD8MXR

4463 Holly Hill Drive

Toledo, OH 43614

Phone: 419-385-5624

Email: wd8mxr@arrl.net

Date: 28-Mar-2004

Sponsor: Lake County ARA

Internet: <http://www.lcara.org>

Contact: Robert Liddy, K8BL

7321 Enfield Drive

Mentor, OH 44060

Phone: 440-951-0283

Email: k8bl@ameritech.net

April 2004

Date: 17-Apr-2004

Sponsor: Milford ARC

Internet: <http://www.qsl.net/w8ydk>

Contact: Rose Mary Moore, KC8NQQ

1383 Sylvan Drive

Hartland, MI 48353

CARS License Classes

The Cuyahoga Amateur Radio Society (CARS) is again holding classes for Amateur Radio Licenses.

Classes will be held at the Independence Civic Center in the Willow Room at 6363 Selig Dr. in Independence, Ohio. A VE session will be held at the last class.

Register at www.cars.org or contact Gary Dewey at 216-642-8705 for any of the following classes:

General Class

Classes are Wednesday March 31st through May 12th, 2004 at 6:30 p.m. Fee is \$25.00

Extra Class

Classes are Wednesday February 25th through March 24th, 2004 at 6:30 p.m. Fee is \$30.00

LEARA

PO Box 22823
Beachwood OH 44122-0823

FIRST CLASS MAIL

LEARA - The Lake Erie Amateur Radio Association

VOICE REPEATERS:

53.230/R-	Highland Hills (136.5 Hz tone)
146.76/R-	Highland Hills (Use 110.9 Hz tone for remote inputs in Lakewood, Newbury & Willoughby)
146.88/R-	Lakewood (110.9 Hz tone)
224.90/R-	Lakewood (141.3 Hz tone)
444.40/R+	Highland Hills (131.8 Hz tone) - IRLP Node 4282
444.70/R+	Lakewood (131.8 Hz tone) (.76, .88, .90 and .70 offer emergency and member-only autopatch lines.)

PACKET NODES:

CLE1 145.01 MHz: **CLE5** 145.05 MHz: **CLEV220** 223.70 MHz
These nodes are part of the Cleveland Net Cluster in K8EIW's backbone system.

GENERAL:

NBRY i145.07 MHz & 223.70 MHz (KA-NODE)
NBRYX i145.07 MHz ó 223.70 MHz Gateway
LEARA i145.07 MHz & 223.70 MHz PBBS

INTERNET:

www.leara.org
To subscribe via e-mail, send a message to: **spirit76-request@leara.org**
Put subscribe in the subject area and your name and callsign in the body.